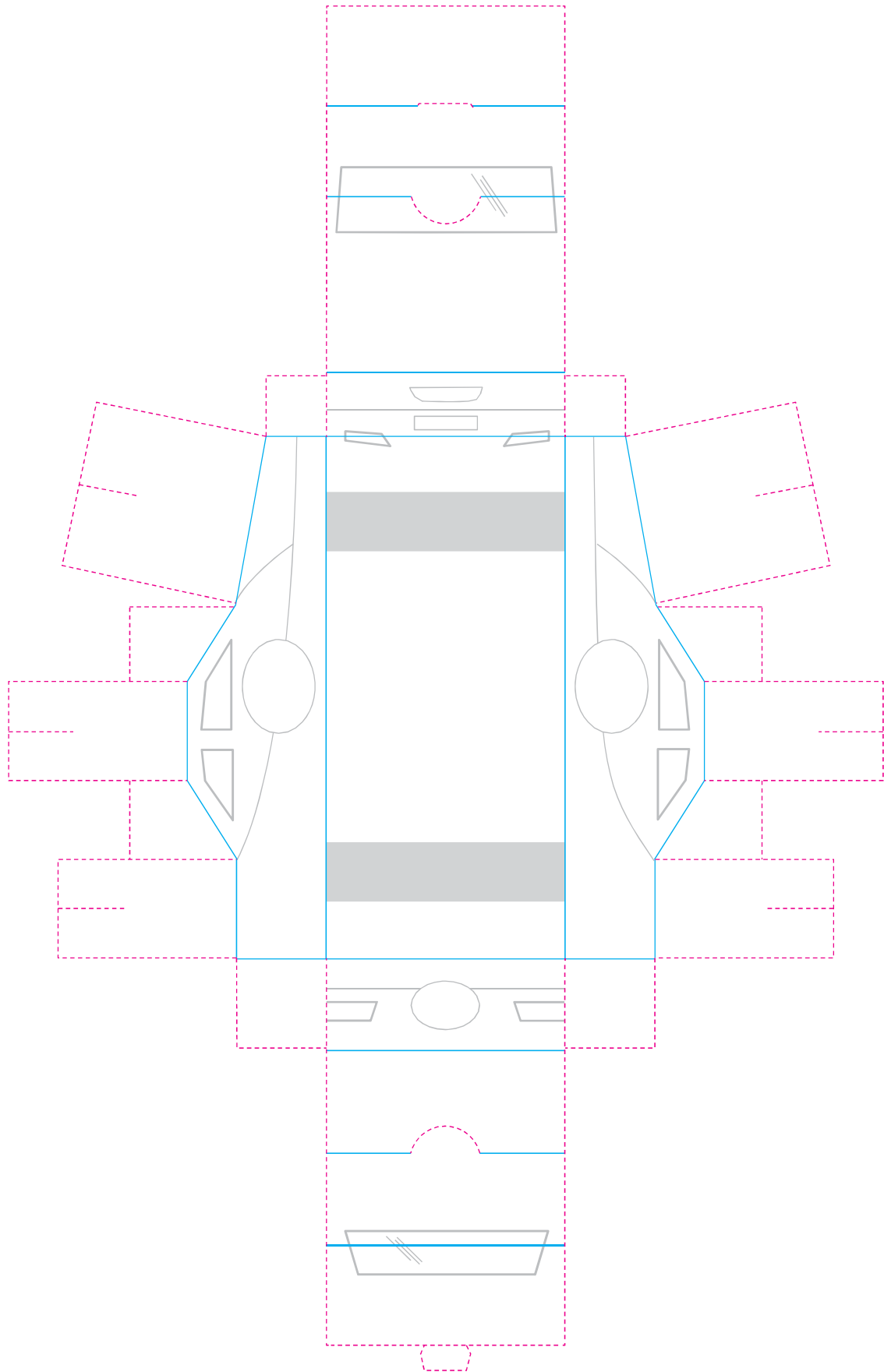


CAR *TEMPLATE*

Cut along the dotted lines, then follow the directions on Assembly Sheet A to put your car together.



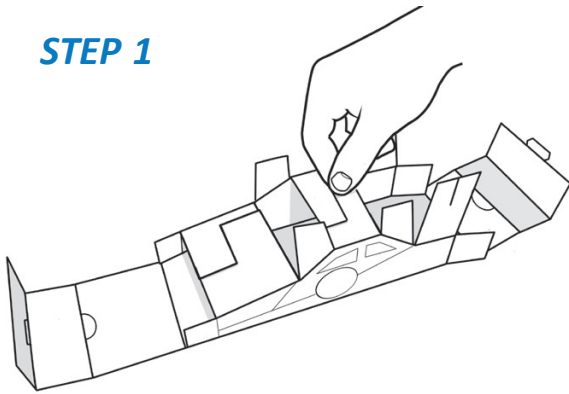
BUILD A RACE CAR

GATHER YOUR MATERIALS

Car template, plastic straw, scissors, ruler, four round candies with holes in their centers, tape, markers

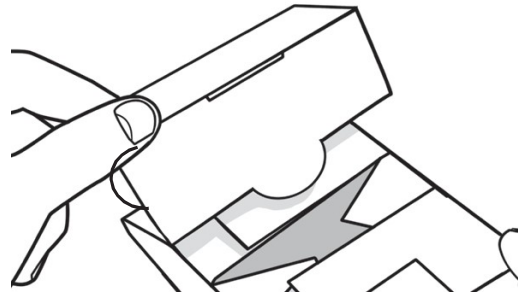
BEFORE YOU BEGIN Color or personalize your race car.

STEP 1



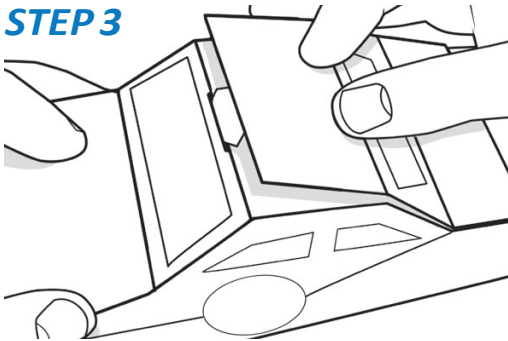
Flip the car over. Fold up the sides and connect the tabs using the split ends.

STEP 2



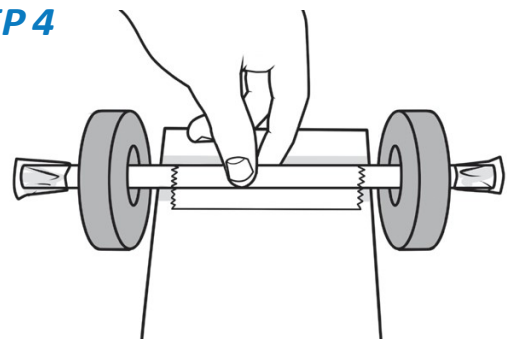
Fold up the front and the back of the car to cover all the tabs. Secure the hood and trunk by tucking the semicircles into the front and back openings.

STEP 3

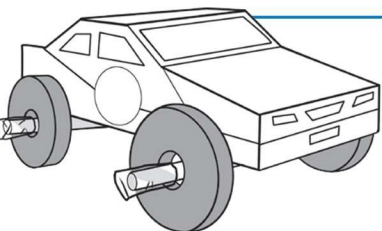


Connect the front and back of the car by sliding the top tab into the top slot. Reinforce the roof of your car with tape.

STEP 4



Cut two 3-inch pieces from the plastic straw. (Note: Save the final piece of straw for the Lesson 2 experiment.) Flip the car over and tape the straw pieces along the guidelines on the bottom of the car.



COMPLETE YOUR CAR

Thread a candy over each straw end. Fold a small piece of tape over the end of each straw to keep the candies in place. (Note: The tape shouldn't prevent the candies from spinning.) **Now your car is ready to roll.**